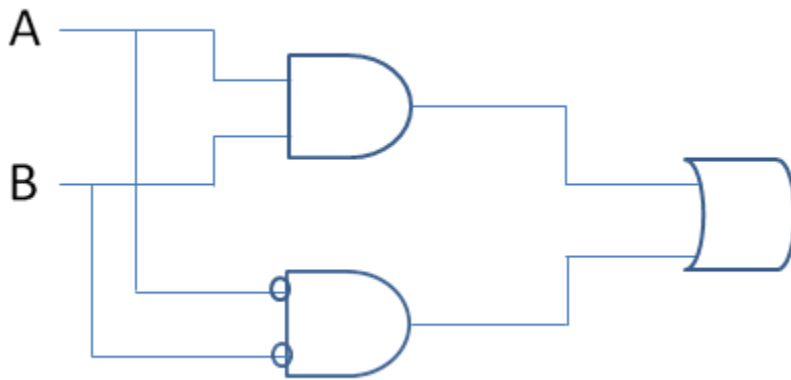
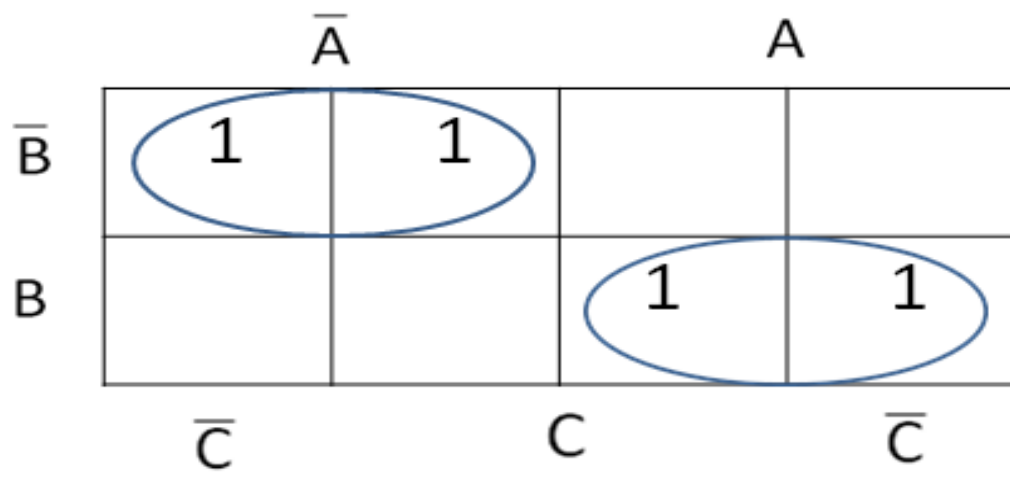


	$\bar{A}$	A
$\bar{B}$	1	
B		1

$$\bar{A}\bar{B} + AB$$





$$\bar{A}\bar{B} + AB$$

